

Water Blade

Description - Produces a clear unbroken sheet of water when installed at the prescribed height. The nozzle is designed to create a smooth un-turbulent flow of water from the lip of the nozzle. Care is to be taken to size the pump correctly to get the correct results.

The sound effects of this nozzle can be very high so care needs to be taken while choosing this for areas where low sound effects are desired.

Sizes - Available in 1m and 1.5m width.

MOC - FRP with SS Frame.

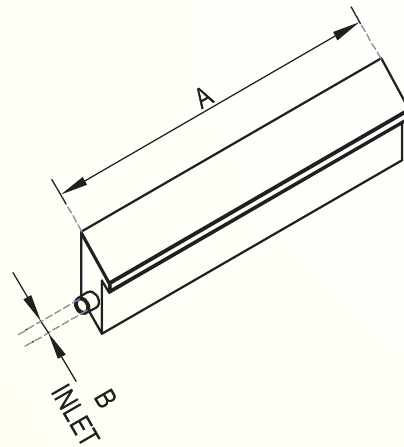
Custom - Can be customized for different widths but not exceeding 1.5m. Inlet location and size can also be customized.

Type - The nozzle is installed inside the wall at the prescribed height with the lip at least 25mm out of the wall.



Dimensions

SAP Code	MODEL	A	Inlet (B)
FRP2.10	Water Blade 1000	1.0m	1x40mm
FRP2.09	Water Blade 1500	1.5m	2x40mm



Flow Rate for Water Blade

MODEL	Water Blade 1000	Water Blade 1500
Spray Ht.(in m)	LPM	LPM
0.50	66	100
1.00	150	225
1.50	250	375
2.00	580	870
3.00	1050	1575