

## High Flow Pool/Water Feature Pumps

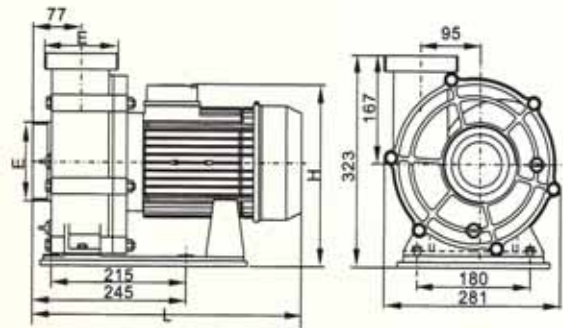
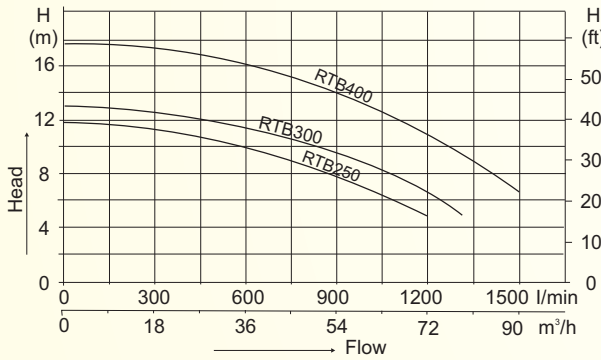


### Application

Suitable for SPA circulation system, swimming pools and water features.

### Features

- ▶ Optimize working point in design, large flow, High efficiency.
- ▶ The wet end is made of High strength engineering plastic.
- ▶ Frame with exclusive plastic base.
- ▶ With low noise standard motors; Single phase motor installation TI thermal protector.
- ▶ Motor with high temperature resistant bearings for long life.
- ▶ Insulation class F, Protection IPX5.
- ▶ CE, TUV certification approval



Model	Qmax (l/min)	Hmax (m)	Power		Amps 380V/50Hz	L	H	Screw thread (E)
			kw	Hp				
RTB250T	1210	11.5	2.5	3.5	4.9	412	274	G23/4 G4 4.5BUTT
RTB300T	1300	13	3.0	4.0	5.2	412	274	
RTB400T	1500	17.5	4.0	5.5	7.0	429	274	