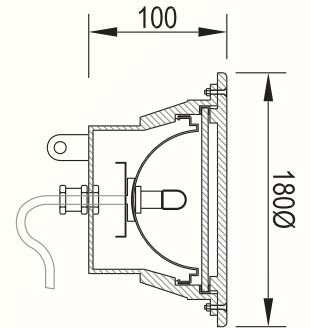


Halogen Light S100H

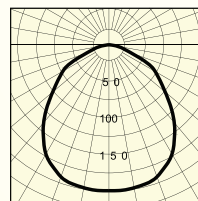
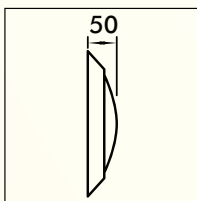
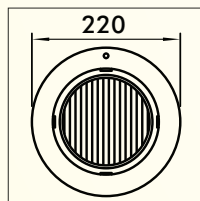


Specifications

- SAP Code - SL1.16
- IP Rating - IP 68
- Bulb - 1 X 100W AR111
- Wattage - 100W
- Voltage - 12V DC
- Type - Without Niche (Spot Light)
- MOC - Noryl with SS fastener.
- Cable - 1m included.



TLP Stainless Steel Lights



Model	Power	Voltage	Light Material	Lens Material	Cable Length
	W	V			
TLP075	75	12	Stainless Steel	PC	2m
TLP100	100	12	Stainless Steel	PC	2m